

PPW „ARAJ” LTD is grain silos, dryers, cleaners and transport devices leader supplier in Poland. We have 20 years experience in design and manufacturing. Our computer –controlled machine fleet provides manufacturing productivity ensuring our components are precise and repeatable. With our coherent and flexible logistics , we can efficiently operate our business every day . Our people are high qualified specialists.

Purpose

ARAJ’s BS 20 and 50 cleaners are for the preliminary and high intensity cleaning of kinds grain . Due to the large screen area nad aspiration system these cleaners archive very good capacities not the preliminary cleaning but cleaning but during the cleaning as well.

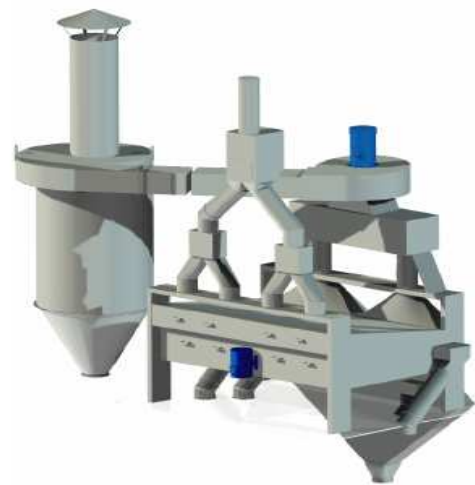
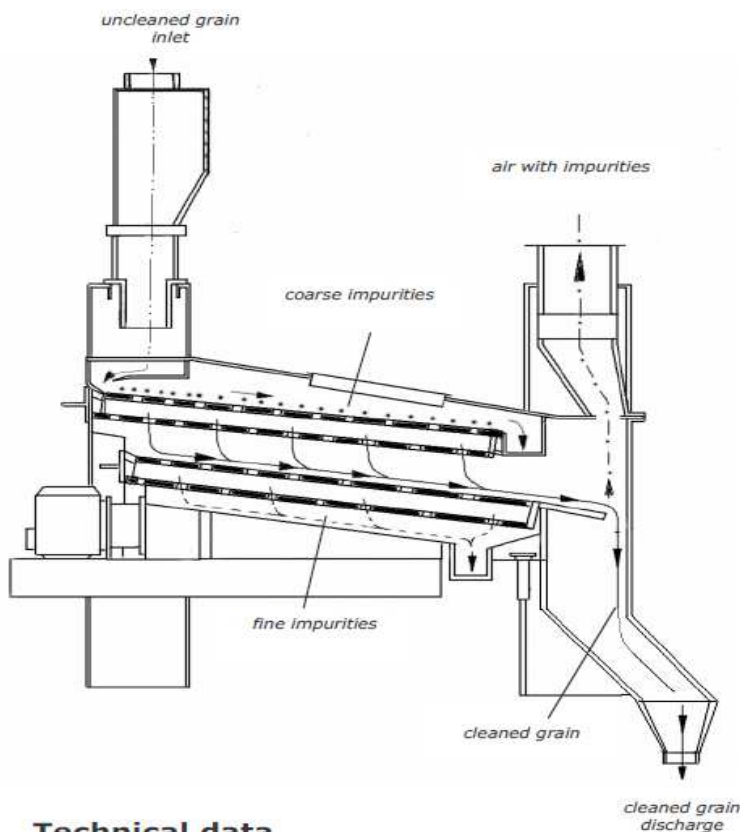


fig. BS 50

Cleaner structure:

- frame with screens
- screen drive
- stream divider
- fan
- cyclone.

Technical data

Capacity: *)		BS 20	BS 50
- preliminary cleaning	t/h	20	40
- intensive cleaning	t/h	12	25
Number of screen sections		2	2
Number of screens in set		4	8
Screen area		m ²	3
Installed electric power:			
- screen drive	kW	1.3	1.5
- fan	kW	3,0	2,2
Size without cyclone	- length	mm	1365
	- width	mm	1812
	- height	mm	2154

*) maximum capacity, for wheat with 18% moisture content.